

INSTALLATION INSTRUCTIONS

Swing-Up Mullion System Supplemental Instructions

(For use with Commercial & Industrial Sectional Doors Installation & Maintenance Manual)

This is a supplement to the Commercial & Industrial Sectional Doors Installation & Maintenance Manual (Referred to as MANUAL). It covers important information unique to certain Commercial door configurations. For all other information and safety warnings concerning your Commercial garage door, see the MANUAL. Read all of the information in both manuals before beginning installation.

These instructions cover the following areas, where this Commercial door installation differs from the standard Commercial door installation:

1. Swing-Up Mullion Installation
2. Swing-Up Mullion Wiring Schematic



WARNING

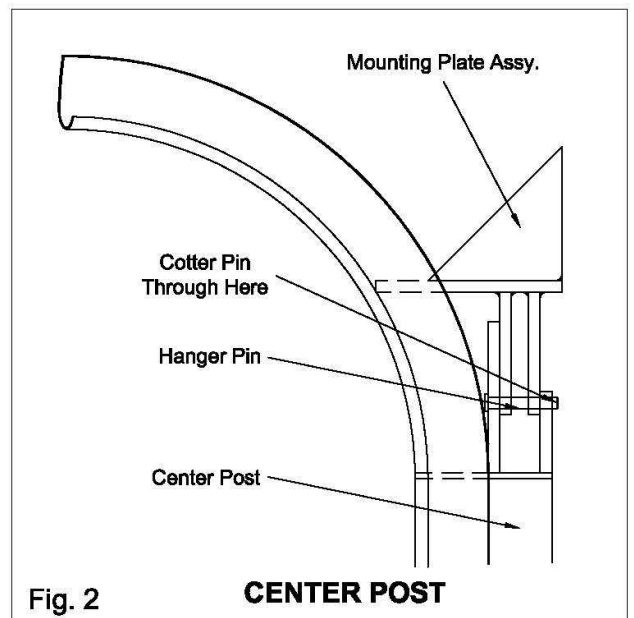
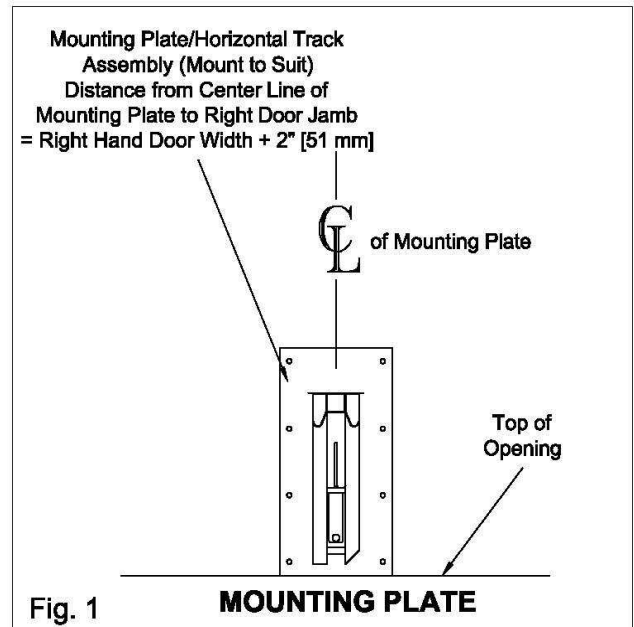
DO NOT ATTEMPT TO INSTALL, REPAIR, OR ADJUST the Swing-Up Mullion System with spring tension applied to the lift cable. Failure to remove all tension could cause SEVERE INJURY OR DEATH if mishandled.

Swing-Up Mullion Installation

Step 1: Mounting Plate. Attach mounting plate/horizontal track assembly, as shown. (FIG 1) Back hang horizontal track and tubing to suit.

Step 2: Center Post. Hang center post from mounting plate using 3 1/4" [83 mm] long hanger pin and cotter pin. (FIG 2)

Step 3: Floor Plate. Center mark the exact location where floor pin hits the ground when center post is lowered. Drill a 1 3/8" [35 mm] diameter hole, 3" [76 mm] deep at this location. Place floor plate, as shown. (FIG 3)

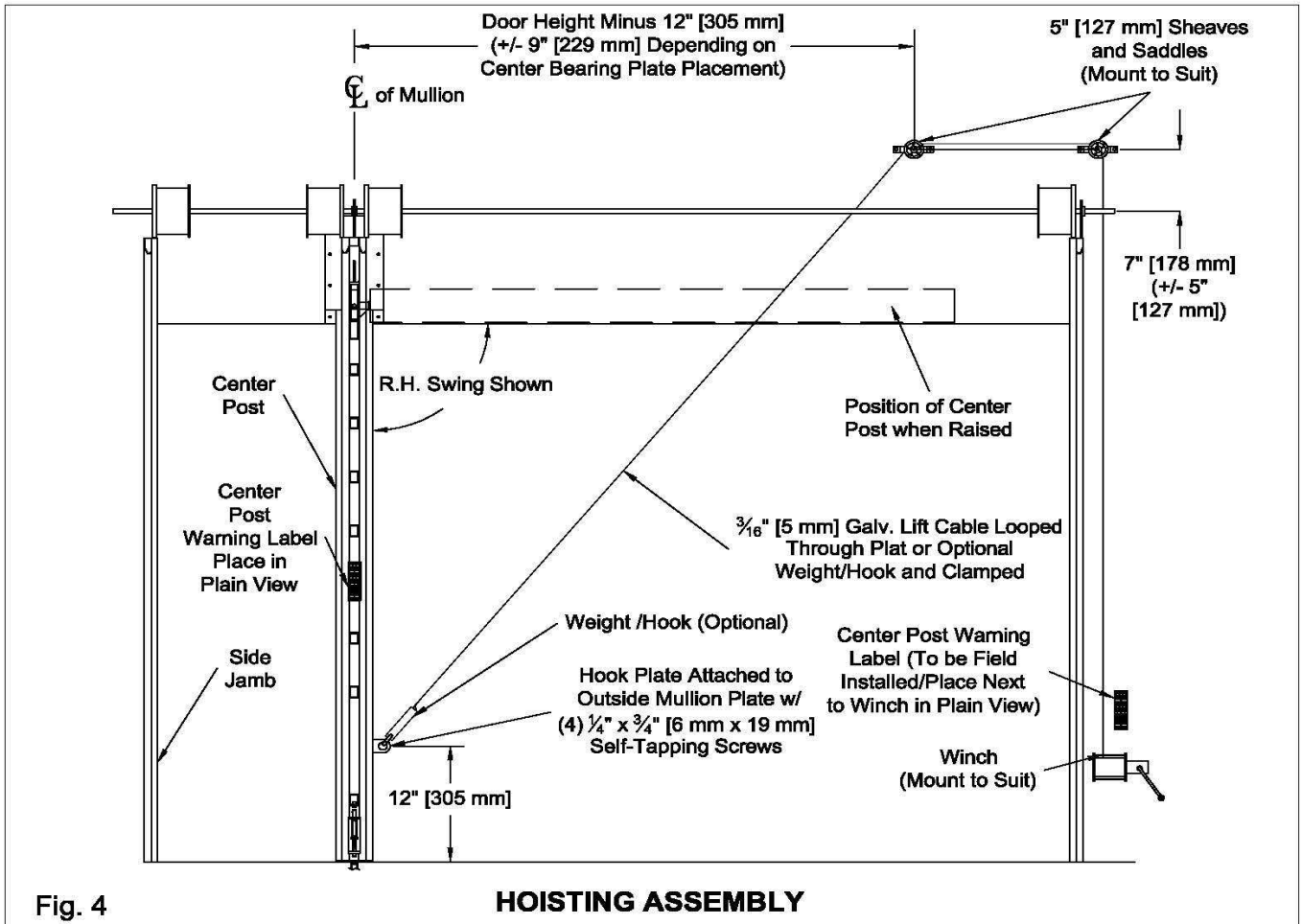
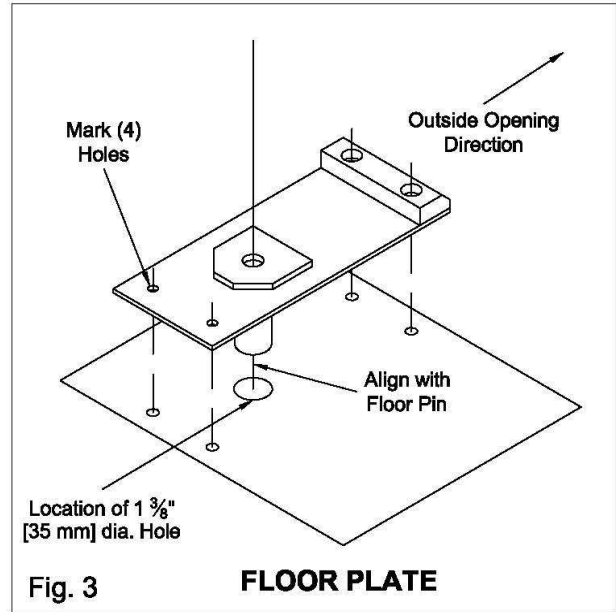


Lower floor pin into hole in the floor plate. Mark where the (4) smaller mounting holes on the floor plate are located. Remove floor plate. Drill a 5/16" [8 mm] dia. hole at each location

Attach floor plate to floor using (4) 5/16"-18 x 1-1/2" concrete mollies. Center post may have to be swung slightly out of the way when drilling.

Step 4: Hang Door. Install door sections, track and power unit as directed in the MANUAL.

Step 5: Hoisting Assembly. Raise door approx. 12" [305 mm] off floor. Mount winch, sheave and hook plate, as shown. (FIG 4) Run winch cable from winch, over the two sheaves, across the front of the door, and through hook plate (weight/snap hook optional). Clamp cable using cable clamp.





WARNING

Clopay Building Products Company **STRONGLY** recommends the use of electrical interlock safety switch devices for the following:

- To prevent the operation of the doors when the center post is not in the “Down” position and locked in place, or
- The operation of the center post if all doors are not fully open, when an electric winch is utilized for the center post.

NEVER attempt to raise the center post if both doors are not in the fully open position.

ALWAYS lock the center post in place when in the “Down” position.

Step 6: Safety Interlock. Mount center post safety interlock switch to mounting plate/horizontal track assembly, according to the direction of the swing of the center post, as shown. (FIG 5) Mounting holes are located for recommended safety interlock switch (4LS1).

If an electric winch is utilized for the center post, mount a safety interlock switch for each door. Recommended safety interlock switch of the doors is GLAA01E7B with wobble actuator.

Refer to “Swing-Up Mullion Wiring Schematic for additional safety interlock switch mounting, wiring and operation information.

Swing-Up Mullion Wiring Schematic

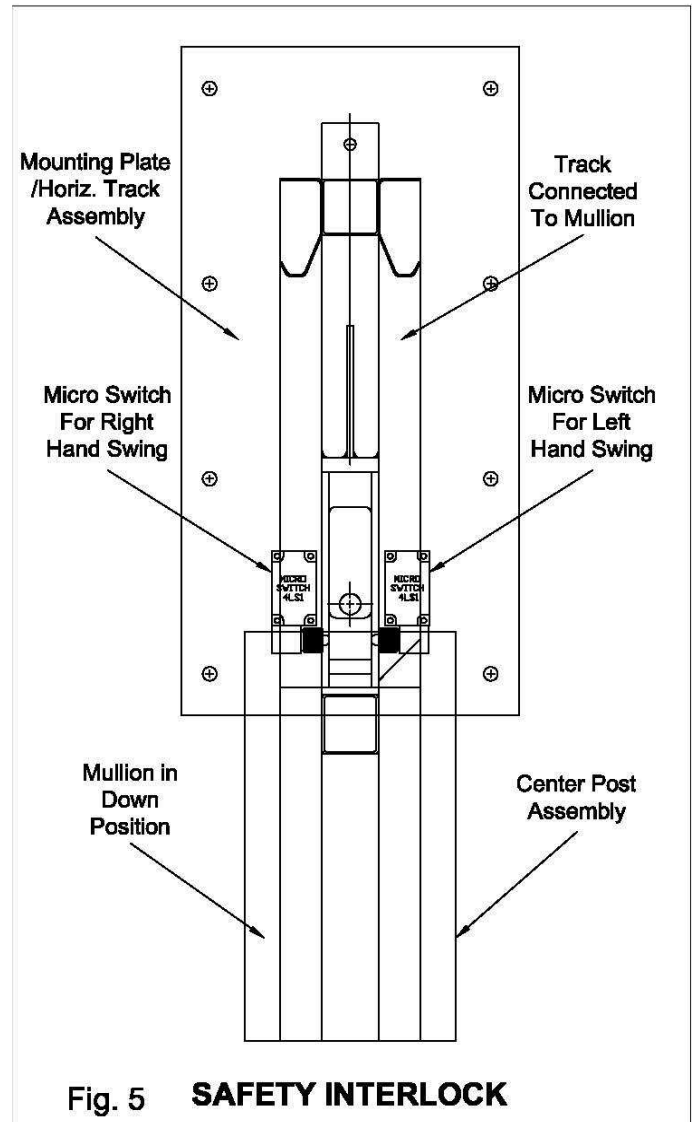
See Fig 6 for wiring schematic. (Next Page)

Notes:

1. Mount center post & door interlock switches according to information furnished with switch.
2. Center post switch must be activated by post being in the locked vertical or “Down” position.
3. Doors must be fully opened and activate door interlock switches otherwise the center post operator will not energize

CAUTION: Make sure the center post lock pin is disengaged BEFORE raising center post.

4. Wiring as shown is with center post switch activated by the post being in the “Down” position and the doors NOT fully opened.



5. If more than one center post is used, wire each post independently, as shown. In this case one or more doors will have (2) door interlock switches (one for each post)
6. All interlock switch and operator wiring must be verified and tested for proper operation before the doors and post assembly is put into service. Reference switch/operator chart. (Table 1)
7. Wiring Schematic illustrates (1) potential hookup scenario, utilizing Chamberlain door operators, noted interlock switches and Dayton electric post operator, others may be appropriate. Contact Door or GDO manufacturer for differing scenarios.
8. Swing-up Post Operator and Door Interlock Switch circuit are NOT applicable if manual swing-up post operator is utilized.

NOTE: * Denotes Operator Terminals For External Interlock Device Attachment

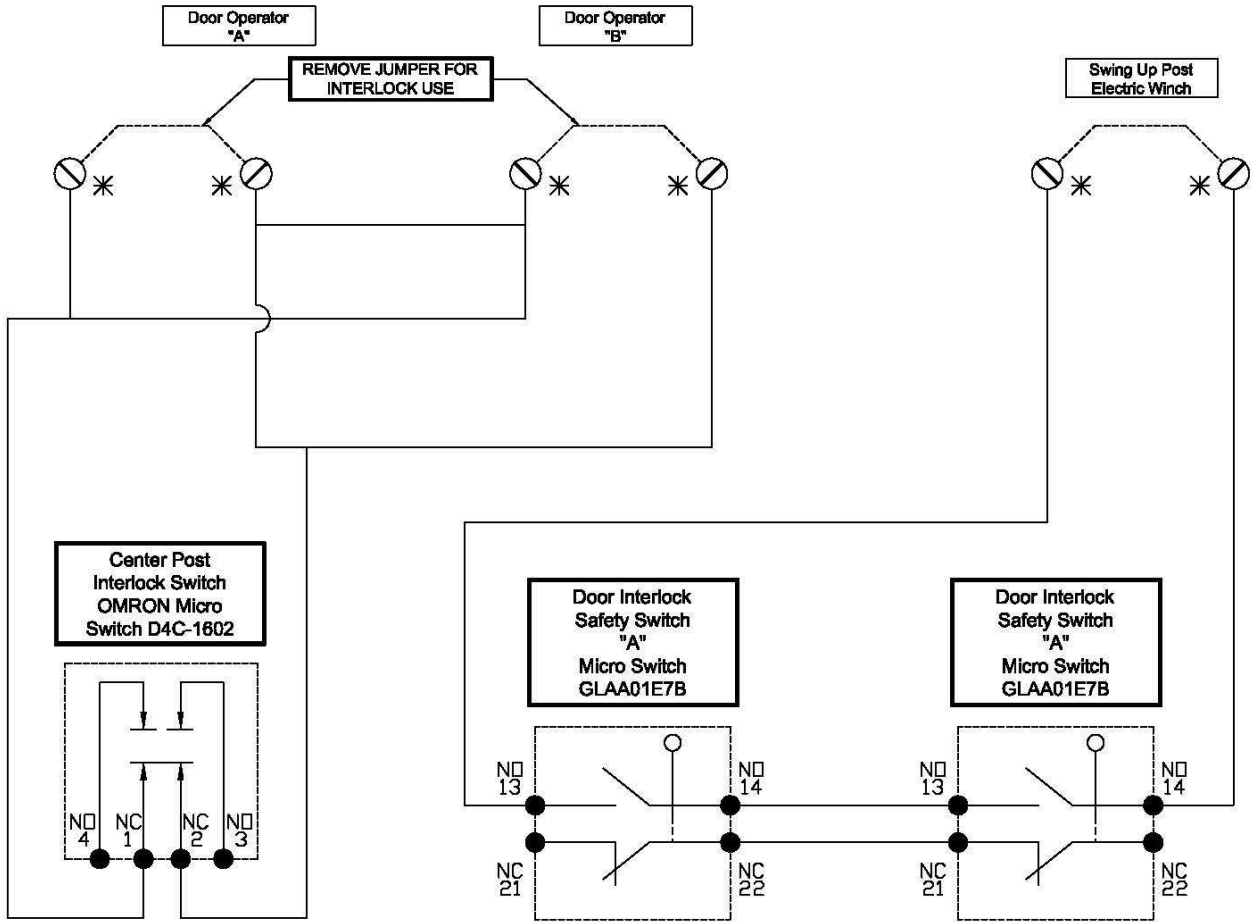


Fig. 6

WIRING SCHEMATIC

Table 1:

Swing Up Post Assembly Interlock Switch and Electric Operator Status								
Door A Position	Door B Position	Center Post Position	Door A Interlock Switch	Door B Interlock Switch	Center Post Interlock Switch	Door A Electric Operator Status	Door B Electric Operator Status	Center Post Electric Operator Status
Closed	Closed	Closed	Open	Open	Open	Operational	Operational	NOT Operational
Closed	Partial Open	Closed	Open	Open	Open	Operational	Operational	NOT Operational
Closed	Fully Open	Closed	Open	Closed	Open	Operational	Operational	NOT Operational
Partial Open	Closed	Closed	Open	Open	Open	Operational	Operational	NOT Operational
Partial Open	Partial Open	Closed	Open	Open	Open	Operational	Operational	NOT Operational
Partial Open	Fully Open	Closed	Open	Closed	Open	Operational	Operational	NOT Operational
Fully Open	Closed	Closed	Closed	Open	Open	Operational	Operational	NOT Operational
Fully Open	Partial Open	Close	Closed	Open	Open	Operational	Operational	NOT Operational
Fully Open	Fully Open	Closed	Closed	Closed	Open	Operational	Operational	Operational
Fully Open	Fully Open	Partial Open	Closed	Closed	Closed	NOT Operational	NOT Operational	Operational
Fully Open	Fully Open	Fully Open	Closed	Closed	Closed	NOT Operational	NOT Operational	Operational